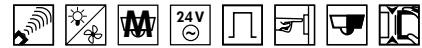


LUXOMAT® PD2-M-2C-24 V-SM/-FC



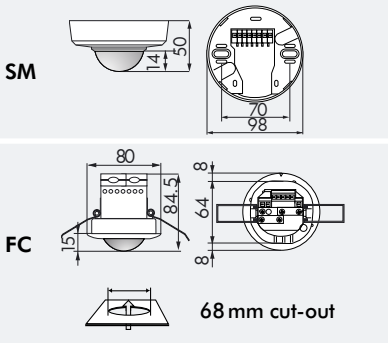
For 24V



SM



FC



TECHNICAL DATA

- 24 VAC/DC ~ ±10 %
- 360°
- seated \varnothing 4.00 m
- across \varnothing 10.00 m
- towards \varnothing 6.00 m
- SM/FC = IP20 / Class II / CE
- SM \varnothing 98 x H 50 mm
FC \varnothing 80 x H 84.5 mm
- 25°C to +50°C
- Housing UV- and shock-resistant Polycarbonate
- IR-PD, IR-PD-Mini

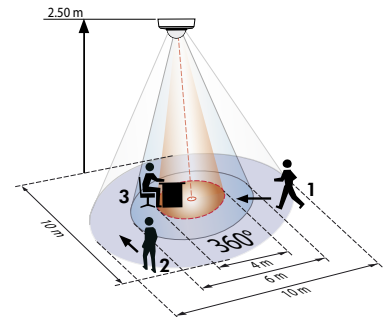
Channel 1 and Channel 2

One floating NO each

- Version 3A:** 3 A, $\cos \varphi = 1$
- Version RR:** with reed relay, 100 mA, $\cos \varphi = 1$ for particularly low-noise switching
- Channel 1:** 15 sec. - 30 min. / Test
- Channel 2:** Alarm-impulse with 3 impulses per 10 sec.
- 10 - 2000 Lux

PRODUCT INFORMATION

- Occupancy detector for inside use **LUXOMAT® PD2-M-2C-24V-3A** (3 A version) as well as PD2-M-2C-24V-RR (version with reed relay, extra low-noise switching) to connect on a 24 V-supply (proprietary BUS-system)
- Two switching channels with each one potential-free make contacts
- Many programmes adjustable with the remote control **LUXOMAT® IR-PD**
- Typical applications:** offices, conference rooms, schools, nursery schools, hospitals etc.



- 1 Walking towards
- 2 Walking across
- 3 Seated activity

- 24 V devices are suitable for all proprietary bus systems where a floating motion signal is provided on the BUS.
- A switch can also be used as an option to provide a light sensor signal via channel 1 that is proportional to the resistance.
- 24 V devices can also be used as 24 V slave devices.

ACCESSORY (OPTIONAL)



Description	Colour	Part number
PD2-M-2C-24V-3A-SM	white	92154
PD2-M-2C-24V-RR-SM	white	92305
PD2-M-2C-24V-3A-FC	white	92164
PD2-M-2C-24V-RR-FC	white	92306
Accessory (optional)		
Wire basket BSK	white	92199
LUXOMAT® IR-PD	grey	92160
LUXOMAT® IR-PD-Mini	grey	92159
Socket IP54 for PD2-SM	white	92161

CEILING-MOUNTED OCCUPANCY DETECTORS

