

LUXOMAT® PD2-S-SM/-FC/-FM



SM



FC



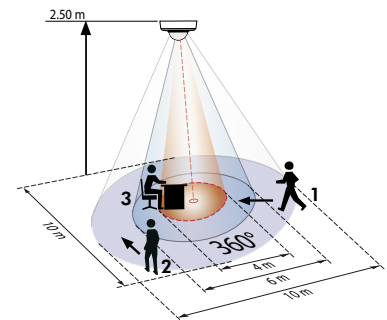
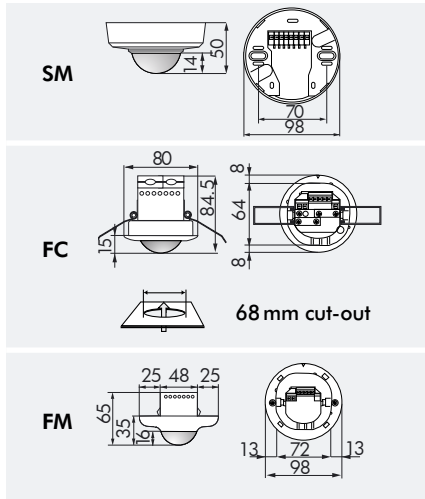
FM

TECHNICAL DATA

- 230V~ ±10%
- 360°
seated Ø 4.00 m
across Ø 10.00 m
towards Ø 6.00 m
- SM/FC/FM = IP20 / Class II / CE
- 25°C to +50°C
- Housing UV- and shock-resistant Polycarbonate
- Pulse interval of 2 sec. or 9 sec.
- Slave output**
- 230V

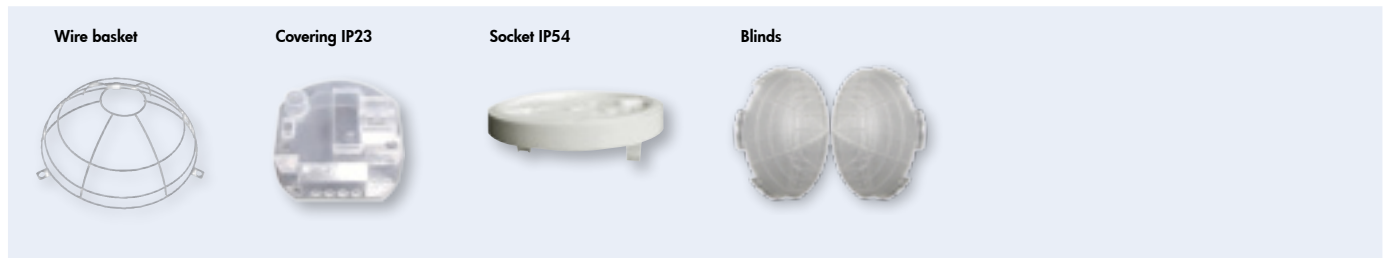
PRODUCT INFORMATION

- Occupancy detector LUXOMAT® PD2-S, Slave with circular detection area, for surface, false ceiling and flush mounting
- Great energy-saving potential
- One master occupancy detector is necessary for controlling light and heating
- Motion can be detected in all room segments using Slave
- When a movement is detected, the Slave transmits an impulse to the master
- The movement is detected independently of light level
- Sensor and power supply in a single housing
- **Typical applications:** offices, conference rooms, schools, nursery schools, hospitals etc.



- 1 ■ Walking towards
- 2 ■ Walking across
- 3 ■ Seated activity

ACCESSORY (OPTIONAL)



Description	Colour	Part number
PD2-S-SM	white	92152
PD2-S-FC	white	92166
PD2-S-FM	white	92156
Accessory (optional)		
Covering IP23	transparent	92206
Wire basket BSK	white	92199
Socket IP54	white	92161