

LUXOMAT® PD3-1C-SM/-FC (Micro)



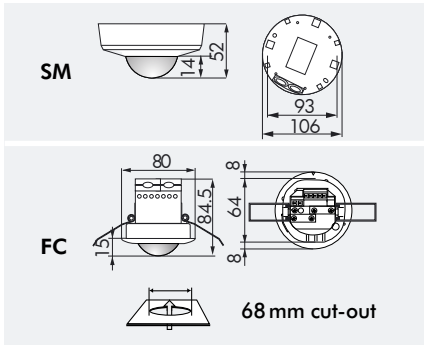
PD3-1C-SM and -FC
with acoustic sensor



SM



FC

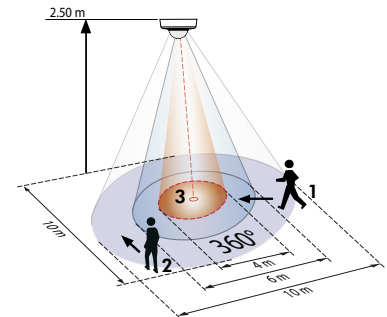


■ **TECHNICAL DATA**

- 230V~ ±10%
- 360°
- across Ø 10.00 m
towards Ø 6.00 m
- SM = IP44; FC = IP20 / Class II / CE
- SM** Ø 106 x H 52 mm
FC Ø 80 x H 84.5 mm
- 25°C to +50°C
- Housing UV- and shock-resistant Polycarbonate
- Channel 1 (Control the lighting)**
- 2000 W, cosφ = 1;
1000 VA, cosφ = 0.5
- 30sec. - 30 min. or impulse
- 10 - 2000 Lux

PRODUCT INFORMATION

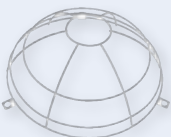
- Manually operated ceiling-mounted motion detectors LUXOMAT® PD3-1C in surface-mount and ceiling-mount version with circular detection area
- One channel to switch the lighting
- Switching for all types of light fixtures by high performance relay
- Optical system, designed for highest sensitivity
- Serial impulse function (gong)
- Version with integrated acoustic sensor (micro version), can also cover persons who otherwise by the infrared radiation of the detector would not be recognized (e.g. in corners or behind walls)!
- **Typical applications:** monitoring of smaller areas like stairwells, private garages, galleries, wash rooms



- 1 ■ Walking towards
- 2 ■ Walking across
- 3 ■ Smaller movements

■ **ACCESSORY (OPTIONAL)**

Wire basket



Covering IP23



Blinds



Description	Colour	Part number
PD3-1C-SM Micro	white	92219
PD3-1C-FC Micro	white	92184
Accessory (optional)		
Wire basket BSK	white	92199
Covering IP23	transparent	92206