

**LUXOMAT® PD4-M-2C-C-SM/-FC/-FM**



With narrow detection area



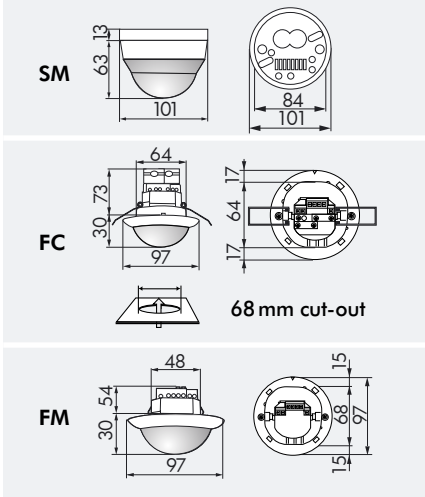
SM



FC



FM

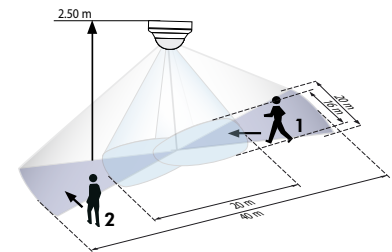


**TECHNICAL DATA**

- 230V~ ±10%
- 360°
- across Ø 40.00 m  
towards Ø 20.00 m
- SM = IP54; FC/FM = IP20 / Class II / CE
- SM Ø 101 x H 76 mm  
FC Ø 97 x H 103 mm  
FM Ø 97 x H 84 mm
- 25°C to +50°C
- Housing UV- and shock-resistant Polycarbonate
- IR-PD, IR-PD-Mini
- Channel 1 (Control the lighting)**
  - 2300 W, cos φ = 1; 1150 VA, cos φ = 0.5
  - 15 sec. - 30 min. or impulse
  - 10 - 2000 Lux
- Channel 2 (Control devices)**
  - dry contact type NO, 3A, 230 V, cos φ = 1
  - Alarm pulse, pulse or 5 - 120 min.

**PRODUCT INFORMATION**

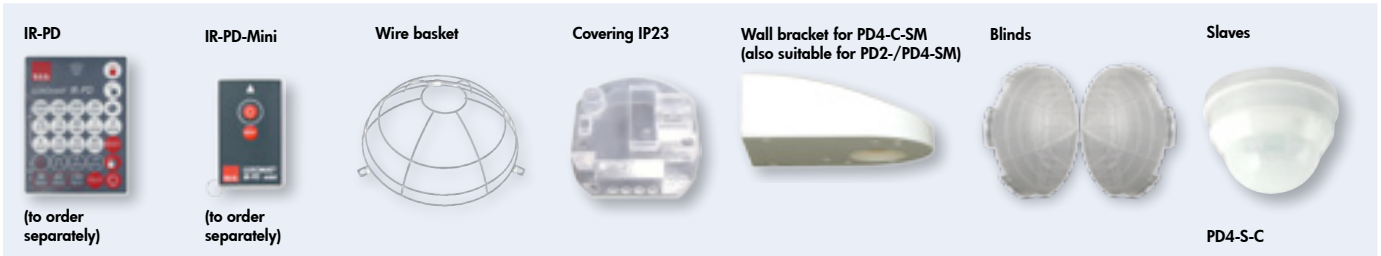
- Remote controllable occupancy detector for inside use LUXOMAT® PD4-M-2C-C as Master version for surface, false ceiling and flush mounting with narrow detection area ideal for corridors
- Two switching channels, one to switch the lighting, the second to switch other loads e.g. HVAC by potential free relay of the detector
- The connection of a unlimited number of slaves for reasonable extension is possible!
- Many programmes adjustable with the remote control LUXOMAT® IR-PD
- **Typical applications:** monitoring of long corridors



- 1 Walking towards
- 2 Walking across

CEILING-MOUNTED OCCUPANCY DETECTORS

**ACCESSORY (OPTIONAL)**



Description	Colour	Part number
PD4-M-2C-C-SM	white	92440
PD4-M-2C-C-FC	white	92143
PD4-M-2C-C-FM	white	92443
<b>Accessory (optional)</b>		
LUXOMAT® IR-PD	grey	92160
LUXOMAT® IR-PD-Mini	grey	92159
Wire basket BSK	white	92199
Wall bracket for PD4-C-SM	white	92441
Covering IP23	transparent	92206