

LUXOMAT® PD4-M-3C-TRIO-SM/-FC



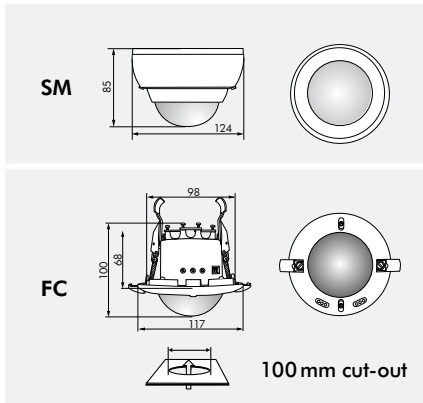
For board lighting



SM



FC



TECHNICAL DATA

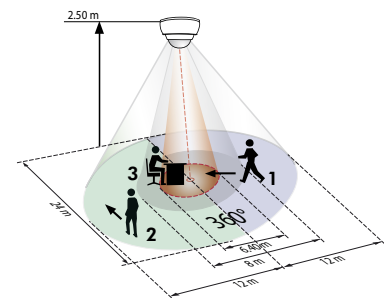
- 230V~ ±10%
- 360°
- seated Ø 6.40 m
- across Ø 24.00 m
- towards Ø 8.00 m
- IP20 / Class II / C E
- SM** Ø 124 x H 85 mm
FC Ø 117 x H 100 mm
- 25°C to +50°C
- Housing UV- and shock-resistant Polycarbonate
- IR-PD4-TRIO SWI

Channel 1 to 3 (light control)

- 3000 W, cosφ = 1;
1500 VA, cosφ = 0.5
- 1 min. - 60 min. / Test with potentiometers
- 5 min. - 90 min. / Test with remote control
- 10 - 1200 Lux

PRODUCT INFORMATION

- Remote control occupancy detector with two directional light meters for 2 lighting zones, e.g. for a window zone and interior zone, plus independent lighting control
- Additional floating switch channel for board lighting
- SLAVE devices can be supplied as an inexpensive option for extending the detection area
- Fully automatic or semi-automatic function can be selected via remote control
- Large detection area up to 24 m in diameter
- **Pushbutton 1 and 2:** 230V input contact for ON/OFF push-button
- **Typical applications:** particularly suitable for use in classrooms with board lighting that can be operated separately



- 1 Walking towards
- 2 Walking across
- 3 Seated activity

NEW!

ACCESSORY (OPTIONAL)



Description	Colour	Part number
PD4-M-3C-TRIO-FC	white	92745
PD4-M-3C-TRIO-SM	white	92740
Accessory (optional)		
LUXOMAT® IR-PD4-TRIO SWI	grey	92102
Wire basket BSK for PD4-TRIO-SM	white	92467
Wire basket BSK for PD4-TRIO-FC	white	92199
SM-Socket IP44	white	92386