

## LUXOMAT® PD4-S-C-SM/-FC/-FM



With narrow  
detection area



SM



FC



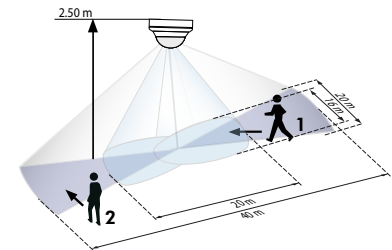
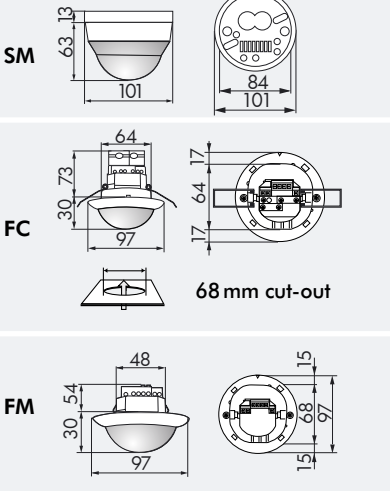
FM

### TECHNICAL DATA

- 230V~ ±10%
- 360°
- across Ø 40.00 m  
towards Ø 20.00 m
- SM = IP54; FC = IP20 / Class II / CE
- SM Ø 101 x H 76 mm  
FC Ø 97 x H 103 mm
- 25°C to +50°C
- Housing UV- and shock-resistant Polycarbonate
- Pulse interval of 2 sec. or 9 sec.
- Slave output**
- 230V

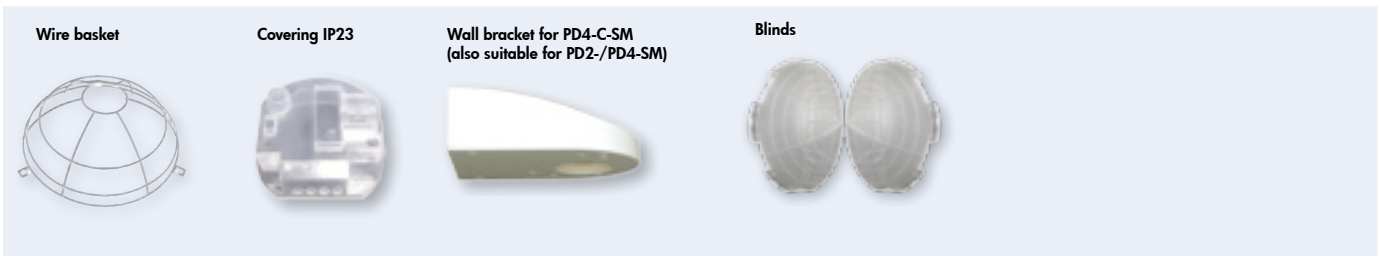
### PRODUCT INFORMATION

- Occupancy detector LUXOMAT® PD4-S-C, Slave with narrow detection area specially for corridors, for surface, false ceiling and flush mounting
- Great energy-saving potential, particularly in corridors
- One master occupancy detector is necessary for controlling light and heating
- Motion can be detected in all corridor segments using Slave
- When a movement is detected, the Slave transmits an impulse to the master
- The movement is detected independently of light level
- Sensor and power supply in a single housing
- **Typical applications:** monitoring of long corridors



- 1 ■ Walking towards
- 2 ■ Walking across

### ACCESSORY (OPTIONAL)



Description	Colour	Part number
PD4-S-C-SM	white	92442
PD4-S-C-FC	white	92444
PD4-S-C-FM	white	92445
<b>Accessory (optional)</b>		
Covering IP23	transparent	92206
Wire basket BSK	white	92199
Wall bracket for PD4-C-SM	white	92441