

Binary Output UP 562/01 5WG1 562-2AB01 2 x 230 V AC / 10 A

Issued: November 2004

Product and Applications Description

The binary output UP 562/01 is a switching actuator equipped with an additional PEI interface for box mounts. It can switch two separate groups of electric loads by its two outputs. The 10 pin PEI interface is designated for plugging-in EIB sensor modules (such as push buttons). The binary output is built into box mounts (60mm Ø, 60mm deep) by screw mounting and is connected with the bus line by screwless plug-in blocks.

Each of the outputs can be assigned various tasks depending on the application program used, i.e. the binary output UP 562/01 consists of the device (hardware) and its application programs (software).

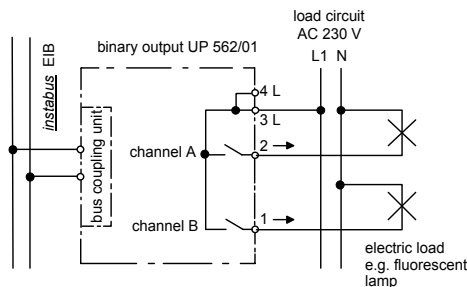
Appropriate application programs are available for the different tasks the binary output UP 562/01 can handle; e.g. for direct on and off switching, time switch (non-delayed on, delayed off) or delayed on/off switching.

With the ETS (EIB Tool Software) the application program is selected, its parameters and addresses are assigned appropriately, and downloaded to the binary output UP 562/01.

Additional Informations

<http://www.siemens.de/gamma>

Example of Operation



Technical Specifications

Power supply
via the bus line

Outputs

- number: 2 outputs (voltage free contacts)
- rated voltage: AC 230 V, 47 ... 63 Hz
- rated current: 10 A resistive load
- switching current at AC 230 V: 0,01 ... 10 A resistive load
- switching current at DC 24 V:
 - 10 A resistive load
 - 4 A inductive load (L/R = 7 ms)
- switching characteristic: set in parameter list according to application program

Switching power at AC 230 V

- at incandescent lamp load: max. 1000 W
- at fluorescent lamp (FL) load:
 - uncorrected FL, $\cos \varphi = 0,5$: max. 500 W
 - parallel corrected FL, $\cos \varphi = 1$ (at $C_{tot} \leq 14 \mu F$): 2 x 58 W or 3 x 36 W or 6 x 18 W
 - twin-lamp circuit, $\cos \varphi = 1$: max. 1000 W
 - Osram ECG for 58 W FL: max. 10 units
 - Osram ECG for 36 W FL: max. 15 units
 - Osram ECG for 18 W FL: max. 20 units

Connections

- load circuit, physical:
 - strip insulation for 9 ... 10 mm permissible conductor types/cross sections:
 - 0,5 ... 2,5 mm² single core or flexible conductor, 8 mm ultrasonically compacted
 - 0,5 ... 2,5 mm² flexible conductor with terminal pin, crimped on gas tight
 - 0,5 ... 1,5 mm² flexible conductor with connector sleeve
 - 1,0 and 1,5 mm² plain flexible conductor
- load circuit, electrical:
 - plain flexible conductor, min. 1 mm²: current carrying capacity max. 6 A
 - all other conductors, min. 1,5 mm²: current carrying capacity max. 10 A

WARNING

When looping through the L-conductor (connection blocks 3 and 4), take care that the maximum connection current of 16 A (as governed by the maximum permissible printed conductor load) is not exceeded!

- bus line:
 - screwless bus block 0,6...0,8 mm Ø single core remove approx. 5mm of isolation
- PEI-socket: 10 pins

Physical specifications

- dimensions:
 - W x H: 71 x 71 mm
 - mounting depth: 39 mm
- weight: approx. 80 g (with mounting hanger)

Electrical safety

- protection (according to EN 60529): IP 20

Environmental specifications

- ambient temperature operating: - 5 ... + 45 °C
- ambient temperature non-op.: - 25 ... + 70 °C
- relative humidity (non-condensing): 5 % to 93 %

Location and Function of the Display and Operator Elements

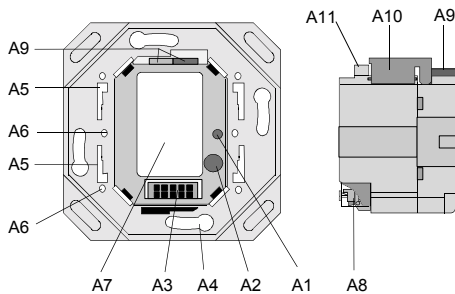


Figure 1: Location of the display and operator elements

- A1 LED for indicating normal operate mode (LED off) or addressing mode (LED on); returns to normal operating mode automatically after receiving the physical address
- A2 Learning button for switching between normal operating mode and addressing mode and for receiving the physical address
- A3 Physical external interface (PEI) for plugging-in EIB sensor module
- A4 Long slots for attaching the application unit on the box mount
- A5 Slots for attaching the application unit via slide guidance and fastening clamps
- A6 Thread for the mounting screws (for additional fastening of the application unit, e.g. theft protection)
- A7 Type label
- A8 Screwless plug-in connection blocks with verification tap to connect the load circuits
- A9 Bus connection block for single core conductors with 0,6...0,8 mm Ø
- A10 Snap-on cover for bus line and single bus wires
- A11 Anchorage for holding the bus lines in their positions

Installations instructions

- The device may be used for permanent interior installations in dry locations within box mounts.

WARNING

- The device must be mounted and commissioned by an authorised electrician.
- A safety disconnection of the device must be possible.
- The device may be mounted to switch and socket combination box mounts if VDE-certified devices are used exclusively.
- The prevailing safety rules must be heeded.
- The device must not be opened.
- For planning and construction of electric installations, the relevant guidelines, regulations and standards of the respective country are to be considered.

Mounting and Wiring

The binary output UP 562/01 is built into box mounts (60 mm Ø, depth 60 mm) via a screw mount. It is connected to the bus line via the bus connection block 193 (screwless plug-in connection blocks for single core conductors). The application units (such as push buttons) are slipped onto the binary output via guiding- and fastening springs and, depending on the type, tightened by screws.

Note: The binary output UP 562/01 must be mounted placing the physical external interface (PEI) at the bottom (figure 2) ensuring that the application units designated to be plugged on the PEI are mounted in the correct operational position. To guarantee a permanently ensured contact it is recommended to use only application units with mounting screws.

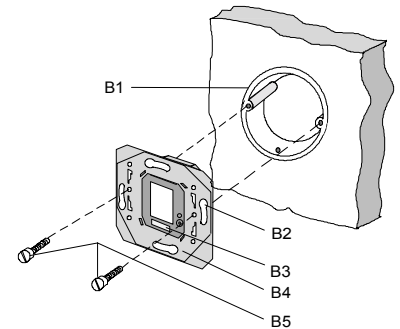


Figure 2: Mounting the binary output UP 562/01

- B1 Box mount (60 mm Ø according to DIN 49073)
- B2 Mounting slots
- B3 Physical external interface (PEI)
- B4 Binary output UP 562/01
- B5 Mounting screws

Connecting bus cables (Figure 3)

- Put the screw-driver between the cover (C1) and the binary output (C2) from the side and lever out the cover.
- Carefully put the screw-driver to the wire-inserting slit of the bus connection block's grey component and pull the bus connection block from the binary output.
- Remove approx. 25 - 35mm of the insulation from the sheathing of the bus cable (C3).
- Remove the end of the conductor's insulation and plug it into the bus connection block (red = +, grey = -).
- Slip the bus connection block onto the guide slot of the binary output and press the bus connection block down to the stop.
- Press the sheathing of the cut-off insulation bus line projecting >3mm into the open clamping slot.
- Press the single bus wires into the recess below the bus connection block and snap on the cover.

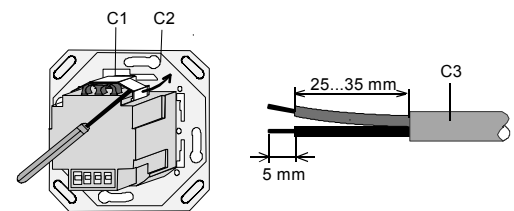


Figure 3: Connecting bus cables

General Notes

- Any faulty devices should be returned to the local Siemens office.
- If you have further questions about the product, please contact our Technical Support:

+49 (0) 180 50 50-222

+49 (0) 180 50 50-223

adsupport@siemens.com